

## **SPECIFICATIONS**

### **HP FILTER**

### **version 3/4**

*Manual : 1110 573.153.112*

*Date : 19/10/11 – Cancels : 11/03/10*

*Modif : Update*

## **TRANSLATION OF THE ORIGINAL MANUAL**

**IMPORTANT : Before assembly and start-up, please read and clearly understand all the documents relating to this equipment (professional use only).**

*THE PICTURES AND DRAWINGS ARE NON CONTRACTUAL. WE RESERVE THE RIGHT TO MAKE CHANGES WITHOUT PRIOR NOTICE.*

### **KREMLIN REXSON**

150, avenue de Stalingrad  
93 245 - STAINS CEDEX – France

Téléphone : 33 (0)1 49 40 25 25      Fax : 33 (0)1 48 26 07 16

**[www.kremlin-rexson.com](http://www.kremlin-rexson.com)**



## INSTRUCTION MANUAL

# FLUID FILTER FOR AIRLESS ® PUMPS , version 3/4

Dear Customer,

We thank you very much for purchasing an accessory from our KREMLIN range.

Special care has been taken during all designing and manufacturing process to make sure your investment will provide full satisfaction.

To get the best result, safe and efficient operation of your fluid filter, we advice you to read and make yourself familiar with this instruction manual. Indeed, the non-compliance with instructions and precautions stated in this manual could reduce the equipment working life, result in operating trouble and create unsafe conditions.

## 1. SAFETY INSTRUCTIONS

- ➔ The personnel involved in operating and servicing this equipment must be aware of all the safety requirements stated in this manual. The workshop supervisor must be certain that the personnel has perfectly understood the safety instructions and complies with them.
- ➔ Use the equipment only in a properly ventilated area to maximize health care. Any misuse of the spray equipment or accessories can damage them and result in body injury and fire hazard.
- ➔ This equipment is installed on installations operating under pressures particularly high. Some precautions must be taken in order to prevent accidents and unsafe working conditions.
- ➔ The maximum fluid pressure at the pump outlet must correspond to the pressure withstood by the filter assembly.
- ➔ All fittings must be tight and in good condition.
- ➔ **Before cleaning or removing components of the equipment, it is compulsory :**
  - to stop the pump by shutting of the compressed air supply,
  - to open the drain valve,
  - to point the spray gun into an appropriate waste receptacle and press the gun trigger to depressurize the system.

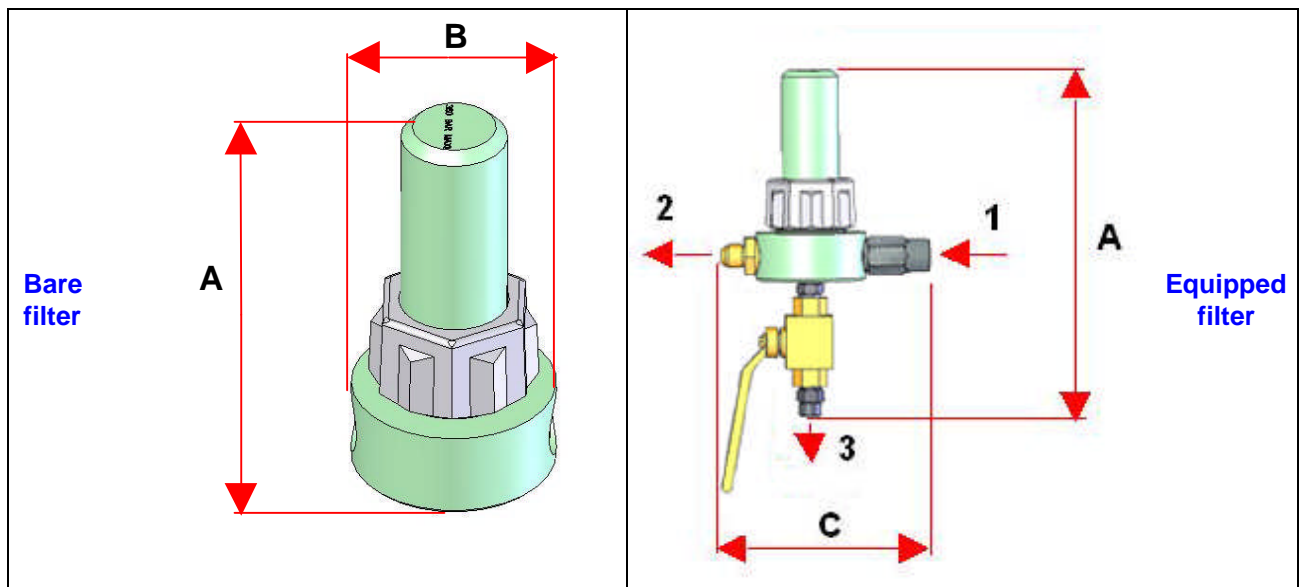
## 2. DESCRIPTION

This stainless steel fluid filter, equipped with a base, model 3/4", is fitted at the outlet of the high pressure fluid pumps (Maximum fluid pressure = 360 bar / 5221 psi).

When its bowl is pointing to upwards, the filter is used as an accumulator and as a filter.

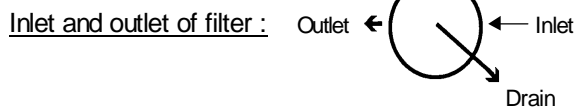
It is designed for easy rinsing and provided without a filter element. A screen n° 12 (size : 280 µ / 55 mesh), recommended for the AIRLESS ® pumps, is mounted in the "Equipped filter" version.

### 3. TECHNICAL FEATURES



Features	Bare filter	Equipped filter	Adaptations
Fluid inlet (1) Fluid outlet (2) Drain outlet (3)	3/4 NPS female 3/4 NPS female 3/8 NPS female	M 3/4 BSP male (nipple) # 8 JIC (3/4 JIC male) (fitting) 18 x 125 male (fitting)	At the drain outlet, install a drain valve (equipped filter) or a plug, model 3/8 NPT on the bare filter.
Height (A) Base diameter (B) Width (C)	170 mm / 6.7" 88 mm / 3.5" 88 mm / 3.5"	290 mm / 11.4 " 88 mm / 3.5" 175 mm / 3.5"	
Maximum fluid pressure	360 bar / 5221 psi	360 bar / 5221 psi	
Filter element (stainless steel)	Without screen	Screen n° 12	Other screen (refer to options)
Wetted parts	Stainless steel, PTFE	Stainless steel	

**Fixing the filter :**  
2 holes Ø 8 on the base



### 4. DISASSEMBLY OF THE FILTER ELEMENT

You must clean regularly the filter element to prevent from the material clogging.

**After the installation shut off and the circuit decompression :**

Unscrew the nut (13) by means of the wrench supplied by KREMLIN.

Disassemble the bowl (12) from the base (11).

Remove the screen (7). Clean or replace it.

Change the seal (16) if it is necessary.

Clean the parts with white spirit and reinstall them in the reverse order.