

DOCUMENTATION

HP FILTER version 3/4”

Manual : 582.105.110-UK - 1811

Date: 16/11/18

Supersede :

Modif.:

TRANSLATION FROM THE ORIGINAL MANUAL

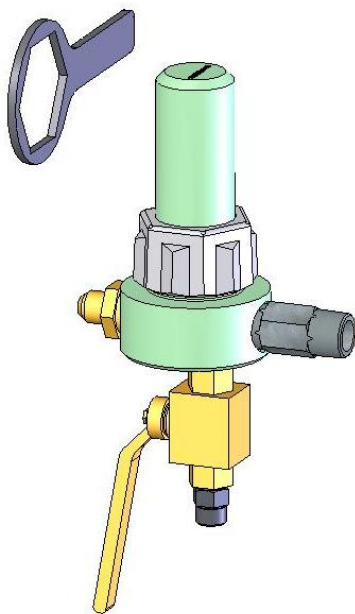
IMPORTANT : Before assembly and start-up, please read and clearly understand all the documents relating to this equipment (professional use only).

THE PICTURES AND DRAWINGS ARE NON CONTRACTUAL. WE RESERVE THE RIGHT TO MAKE CHANGES WITHOUT PRIOR NOTICE..

SAMES KREMLIN SAS

13, chemin de Malacher
38 240 - MEYLAN - France
 : 33 (0)4 76 41 60 60

www.sames-kremlin.com



SPECIFICATIONS

HP FILTER

version 3/4

Manual : 1811 573.153.112

Date : 16/11/18 - Cancels : 19/10/11

Modif : Update

TRANSLATION FROM THE ORIGINAL MANUAL

IMPORTANT : Before assembly and start-up, please read and clearly understand all the documents relating to this equipment (professional use only).

THE PICTURES AND DRAWINGS ARE NON CONTRACTUAL. WE RESERVE THE RIGHT TO MAKE CHANGES WITHOUT PRIOR NOTICE.

SAMES KREMLIN SAS
13, chemin de Malacher
38 240 - MEYLAN - France
☎ : 33 (0)4 76 41 60 60

www.sames-kremlin.com



INSTRUCTION MANUAL

FLUID FILTER FOR AIRLESS PUMPS, version 3/4

Dear Customer,

You are the owner of an accessory from our SAMES KREMLIN range and we would like to take this opportunity to thank you.

To make sure your investment will provide full satisfaction, special care has been taken by SAMES KREMLIN during all designing and manufacturing processes.

To obtain the best result, safe and efficient operation of your equipment, we advise you to read and make yourself familiar with this instruction and service manual. Indeed, the non-compliance with instructions and precautions stated in this manual could reduce the equipment working-life, result in operating trouble and create unsafe conditions.

1. GENERAL SAFETY INSTRUCTIONS

- ➔ The personnel involved in operating and servicing this equipment must be aware of all the safety requirements stated in this manual. The workshop supervisor must be certain that the personnel has perfectly understood the safety instructions and complies with them.
- ➔ Use the equipment only in a properly ventilated area to maximize health care. Any misuse of the spray equipment or accessories can damage them and result in body injury and fire hazard.
- ➔ This equipment is installed on installations operating under pressures particularly high. Some precautions must be taken in order to prevent accidents and unsafe working conditions.
- ➔ The maximum fluid pressure at the pump outlet must correspond to the pressure withstood by the filter assembly.
- ➔ All fittings must be tight and in good condition.
- ➔ **Before cleaning or removing components of the equipment, it is compulsory :**
 - to stop the pump by shutting off the compressed air supply,
 - to open drain valve,
 - to point the spray gun into an appropriate waste receptacle and press the trigger to depressurize the system.

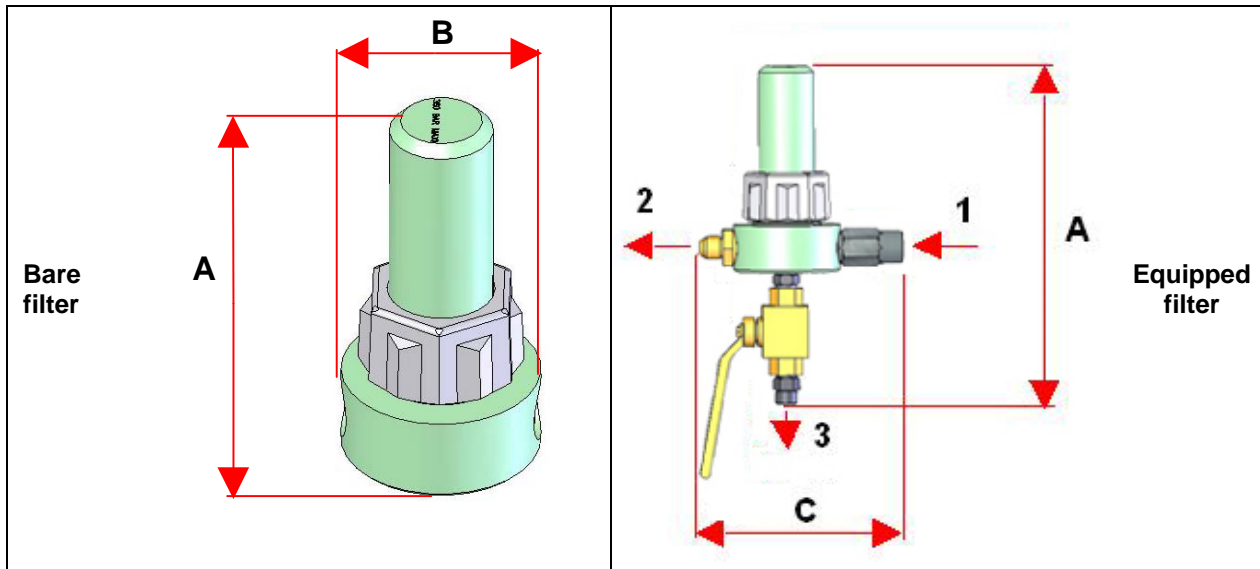
2. DESCRIPTION

This stainless steel fluid filter, equipped with a base, model 3/4", is fitted at the outlet of the high pressure fluid pumps (Maximum fluid pressure = 360 bar / 5221 psi).

When its bowl is pointing upwards, the filter is used as an accumulator and as a filter.

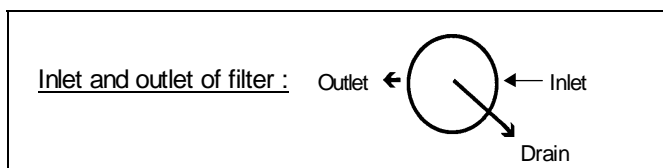
It is designed for easy rinsing and provided without a filter element. A screen n° 12 (size : 280 µ / 55 mesh), recommended for the AIRLESS pumps, is mounted in the "Equipped filter" version.

3. TECHNICAL FEATURES



Features	Bare filter	Equipped filter	Adaptations
Fluid inlet (1)	3/4 NPS female	3/4 BSP male (nipple)	At the drain outlet, install a drain valve (equipped filter) or a plug, model 3/8 NPT on the bare filter.
Fluid outlet (2)	3/4 NPS female	# 8 JIC (3/4 JIC male) (fitting)	
Drain outlet (3)	3/8 NPS female	18 x 125 male (fitting)	
Height (A)	170 mm / 6.7"	290 mm / 11.4"	-
Base diameter (B)	88 mm / 3.5"	88 mm / 3.5"	-
Width (C)	88 mm / 3.5"	175 mm / 6.88"	-
Maximum fluid pressure	360 bar / 5221 psi	360 bar / 5221 psi	-
Filter element (stainless steel)	Without screen	Screen n° 12	Other screen (refer to options)
Wetted parts	Stainless steel, PTFE	Stainless steel	-

Fixing the filter :
2 holes Ø 8 on the base



4. DISASSEMBLY OF THE FILTER ELEMENT

You must clean regularly the filter element to prevent from the material clogging.

After the installation shut off and the circuit decompression :

Unscrew the nut (13) by means of the wrench supplied by SAMES KREMLIN.

Disassemble the bowl (12) from the base (11).

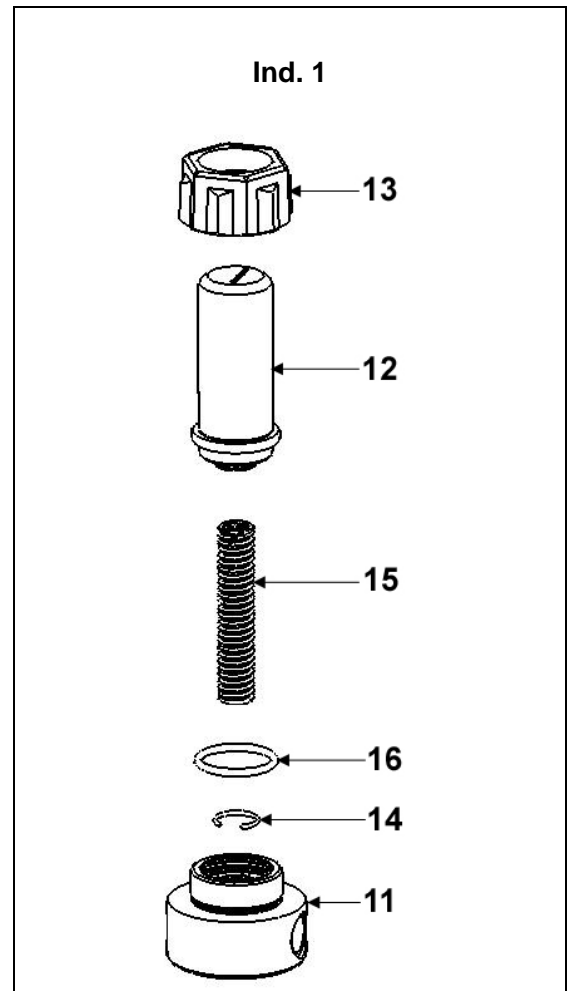
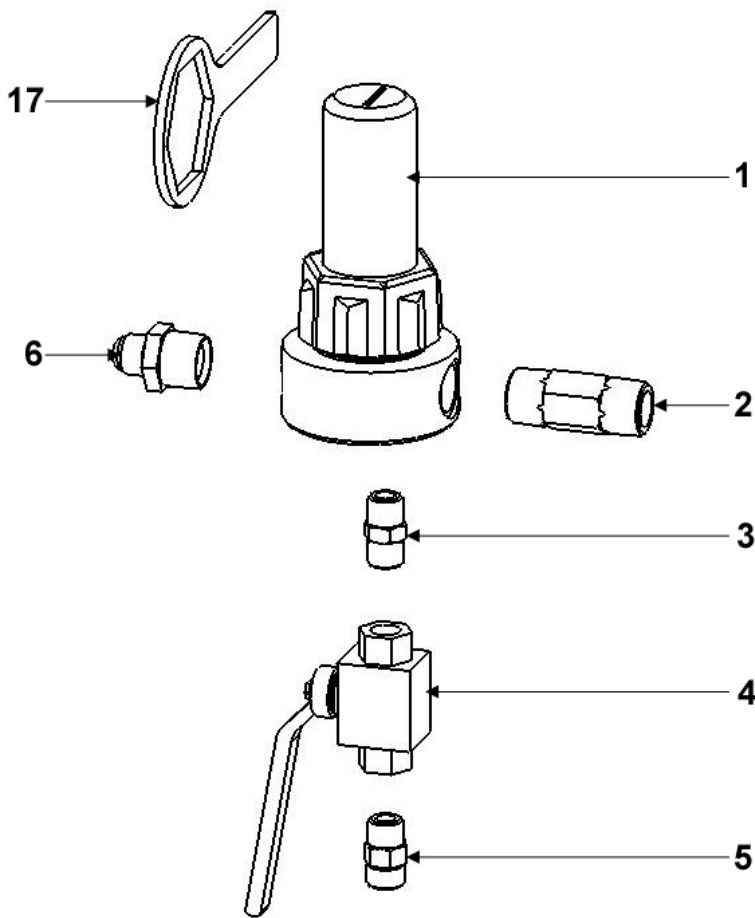
Remove the screen (7). Clean or replace it.

Change the seal (16) if it is necessary.

Clean the parts with white spirit and reinstall them in the reverse order.

Doc. 573.327.050 Date/Datum/Fecha : 15/11/18 Annule/Cancel/ Ersetzt/Anula : 10/10/11	Modif. / Änderung : Mise à jour / Update / Aktualisierung / Actualización	Pièces de rechange Spare parts list Ersatzteilliste Piezas de repuesto
--	--	---

FILTRE PRODUIT HP, modèle 3/4 inox	HP FLUID FILTER, model 3/4 stainless steel
HP MATERIALFILTER, Modell 3/4 Edelstahl	FILTRO PRODUCTO AP, tipo 3/4 inox



FILTRE EQUIPÉ pour pompes AIRLESS®	EQUIPPED FILTER for AIRLESS pumps	# 155.581.400
AUSGERÜSTETER FILTER für AIRLESS-Pumpen	FILTRO EQUIPADO para bombas AIRLESS	

Ind	#	Désignation	Description	Bezeichnung	Denominación	Qté
*1	155 581 450	Filtre nu inox (voir détail)	Bare filter, stainless steel (see detail)	Nackter Filter - Edelstahl (Siehe Detail)	Filtro solo, inox (consultar detalle)	1
2	055 581 401	Mamelon inox 3/4 NPS	Nippel 3/4 NPS, stainless steel	Rohnippel 3/4 NPS, Edelstahl	Pivote de centrado inox 3/4 NPS	1
3	905 240 002	Raccord inox MM 3/8 NPT	Fitting, double male, 3/8 NPT	Doppelnippel AG 3/8 NPT	Racor inox, MM 3/8 NPT	1
*4	903 090 220	Vanne HP FF 3/8 BSP	HP valve FF 3/8 BSP	Kugelhahn, IG 3/8 BSP	Válvula AP, HH 3/8 BSP	1
5	050 102 436	Raccord inox M 18 x 125 - M 3/8 BSP	Adaptor, stainless steel, double male 18x125 - 3/8BSP	Doppelnippel - Edelstahl AG 3/8 BSP - M 18x1,25	Racor inox, M 18 x 125 - M 3/8 BSP	1
6	905 210 515	Raccord inox M 3/4 NPT - M 3/4 JIC	Adaptor, stainless steel, double male, 3/4 NPT - # 8 JIC (3/4 JIC)	Doppelnippel Edelstahl 3/4 NPT - 3/4 JIC	Racor, inox M 3/4 NPT - M 3/4 JIC	1
*7	000 161 112	Tamis n° 12 (280 µ)	Screen n° 12 (280 µ - 55 Mesh)	Filterelement Sieb Nr. 12 (280 µ)	Tamiz n° 12 (280 µ)	1

FILTRE NU (sans tamis)	BARE FILTER (without screen)	# 155.581.450
NACKTER FILTER (ohne Sieb)	FILTRO SOLO (sin tamiz)	

Ind	#	Désignation	Description	Bezeichnung	Denominación	Qté
11	055 581 451	Embase 3/4	Base, model 3/4	Grundblock, Modell 3/4	Base, tipo 3/4	1
12	055 580 202	Cuve	Bowl	Filterglocke	Cubeta	1
13	055 280 002	Ecrou	Nut	Überwurfmutter	Tuerca	1
14	055 190 007	Jonc	Stop ring	Sicherungsring	Clips	1
15	055 190 005	Ressort	Spring	Feder	Muelle	1
*16	150 040 327	Joint (les 5)	Seal (pack of 5)	Dichtung (5 St.)	Junta (bolsa de 5)	1
17	049 030 018	Clé de démontage	Wrench	Schlüssel	Llave de desmontaje	1

* Pièces de maintenance préconisées.

* Preceding the index number denotes a suggested spare part.

* Bezeichnete Teile sind empfohlene Ersatzteile.

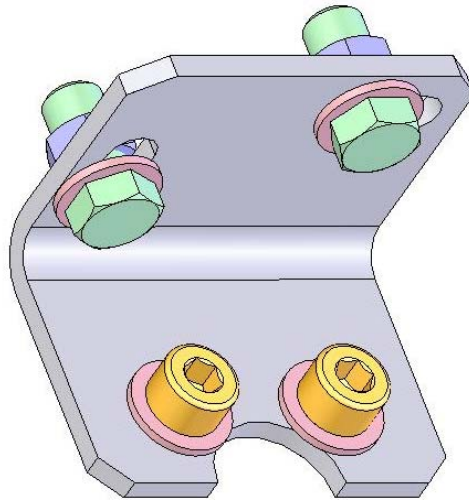
* Piezas de mantenimiento preventivas.

Ind. 7



Ind	#	Désignation	Description	Bezeichnung	Denominación	Qté
-	000 161 101	Tamis n° 1 (37 µ)	Screen n° 1 (37 µ)	Sieb Nr. 1 (37 µ)	Tamiz n° 1 (37µ)	1
-	000 161 102	Tamis n° 2 (77 µ)	Screen n° 2 (77 µ)	Sieb Nr. 2 (77 µ)	Tamiz n° 2 (77 µ)	1
-	000 161 104	Tamis n° 4 (99 µ)	Screen n° 4 (99 µ)	Sieb Nr. 4 (99 µ)	Tamiz n° 4 (99 µ)	1
-	000 161 106	Tamis n° 6 (168 µ)	Screen n° 6 (168 µ)	Sieb Nr. 6 (168 µ)	Tamiz n° 6 (168 µ)	1
-	000 161 108	Tamis n° 8 (210 µ)	Screen n° 8 (210 µ)	Sieb Nr. 8 (210 µ)	Tamiz n° 8 (210 µ)	1
7	000 161 112	Tamis n° 12 (280 µ)	Screen n° 12 (280 µ)	Sieb Nr. 12 (280 µ)	Tamiz n° 12 (280 µ)	1
-	000 161 115	Tamis n° 15 (360 µ)	Screen n° 15 (360 µ)	Sieb Nr. 15 (360 µ)	Tamiz n° 15 (360 µ)	1
-	000 161 020	Tamis n° 20 (510 µ)	Screen n° 20 (510 µ)	Sieb Nr. 20 (510 µ)	Tamiz n° 20 (510 µ)	1
-	000 161 030	Tamis n° 30 (750 µ)	Screen n° 30 (750 µ)	Sieb Nr. 30 (750 µ)	Tamiz n° 30 (750 µ)	1

OPTION - ON REQUEST - OPTIONEN - OPCIÓN



Ind	#	Désignation	Description	Bezeichnung	Denominación	Qté
-	155 190 105	Support filtre avec vis, rondelles et écrous	Mounting bracket with screws, washers and nuts	Filterhalterung mit Schrauben, Scheiben und Muttern	Soporte filtro con tornillos, arandelas y tuercas	1