



**ACCUMULATOR FILTER without bracket**

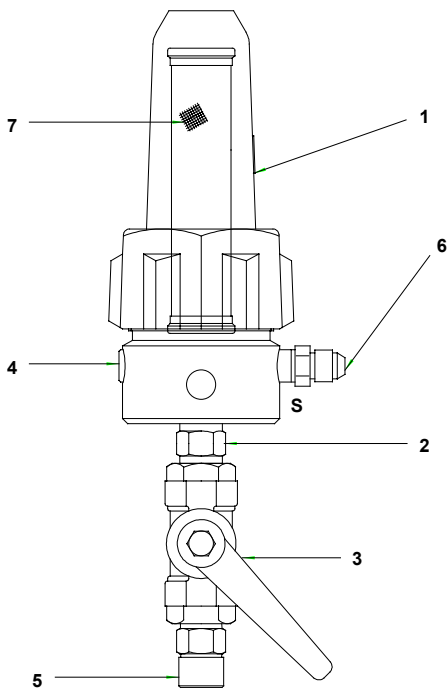
- 240 bar / 3480 psi with screen # 6
- 240 bar / 3480 psi with screen # 12

P.N° 055.580.100  
P.N° 055.590.100

**ACCUMULATOR FILTER with wall mounted unit**

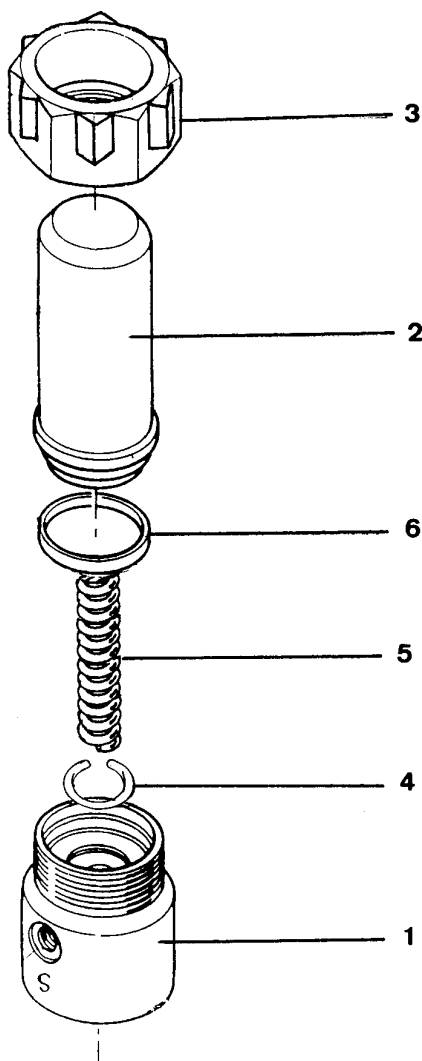
- 240 bar / 3480 psi with screen # 12
- 360 bar / 5222 psi with screen # 12

P.N° 055.190.100  
P.N° 055.190.200



**240 bar/ 3480 psi FILTER**

Ind.	Part number	Description	Qty
<b>240 bar / 3480 psi FILTER</b>			
1	155.580.000	Bare filter, stainless steel	1
2	906.314.204	Adaptor, stainless steel, double male, 1/4 - 3/8	1
3	000.750.040	HP valve, 240 bar / 3480 psi	1
4	056.130.013	Plug, corrosion resistant, G 1/4	1
5	050.102.411	Adaptor, corrosion resistant double male, 3/8 - 18 x 125	1
6	000.972.025	Adaptor, stainless steel double male, 1/4 - 1/2 JIC / # 5 JIC	1
7	000.161.106	Filter element, # 6 (depending on version)	1
7	000.161.112	Filter element, # 12 (depending on version)	1
<b>360 bar / 5222 psi FILTER</b>			
1	155.580.000	Bare filter, stainless steel	1
2	055.190.006	Adaptor, stainless steel, double male, 1/4	1
3	049.221.000	AIRLESS valve	1
4	906.330.102	Plug, corrosion resistant, G 1/4	1
5	050.102.408	Adaptor, corrosion resistant double male, 1/4 - 18 x 125	1
6	905.160.102	Elbow, stainless steel, double male, 1/4NPT - 3/4 JIC / # 8 JIC	2
7	000.161.112	Filter element, # 12	1
<b>Specific parts to filters with bracket</b>			
	055.190.102	Mounting bracket	1
	933.011.279	Screw, HM 8 x 20	2
	963.040.019	Washer, MN 8	4
	953.010.019	Nut, HM 8	2
	933.151.147	Screw, CHc 8 x 10	2
	000.972.176	Elbow, double male, 1/4 - 1/2 JIC / # 5 JIC ( 240 bar / 3480 psi model)	1



Ind.	Part number	Description	Qty
1	055.580.001	Base	1
2	055.580.002	Bowl	1
3	055.280.002	Nut	1
4	055.190.007	Stop ring	1
5	055.190.005	Spring	1
6	055.190.004	Seal	1
-	049.030.018	Wrench	1
-	see table	<b>On request :</b> Filter element (screen)	1

FILTER ELEMENT TABLE			
Screen n°	Mesh size (μ)	Tip number (gun)	Part number
1	37	02	000.161.101
2	77	02	000.161.102
4	99	04	000.161.104
6	168	06	000.161.106
8	210	09 or 14	000.161.108
12	280	20	000.161.112
15	360	30 or 45	000.161.115
20	510	68 and above	000.161.020
30	750	68 and above	000.161.030

Nota : A screen number suits exactly to every gun tip mark.