

SPECIFICATIONS

STAINLESS STEEL AIRMIX® BACK PRESSURE FLUID REGULATOR

Model : 120 - 10 / 120

Manual : 1310 573.042.212

Date : 10/10/13 - Supersede : 21/09/10

Modif. : Update

TRANSLATION FROM THE ORIGINAL MANUAL

IMPORTANT : Before assembly and start-up, please read and clearly understand all the documents relating to this equipment (professional use only).

PICTURES AND DRAWINGS ARE NON CONTRACTUAL. WE RESERVE THE RIGHT TO MAKE CHANGES WITHOUT PRIOR NOTICE.

ADDITIONAL DOCUMENTATIONS

SPARE PARTS : AIRMIX® back pressure fluid regulator

(Doc. 573.343.050)

KREMLIN - REXSON

150, avenue de Stalingrad

93 245 - STAINS CEDEX – France

☎ : 33 (0)1 49 40 25 25 Fax : 33 (0)1 48 26 07 16

www.kremlin-rexson.com

SPECIFICATIONS

**STAINLESS STEEL AIRMIX® BACK PRESSURE FLUID
REGULATOR**

Manual control

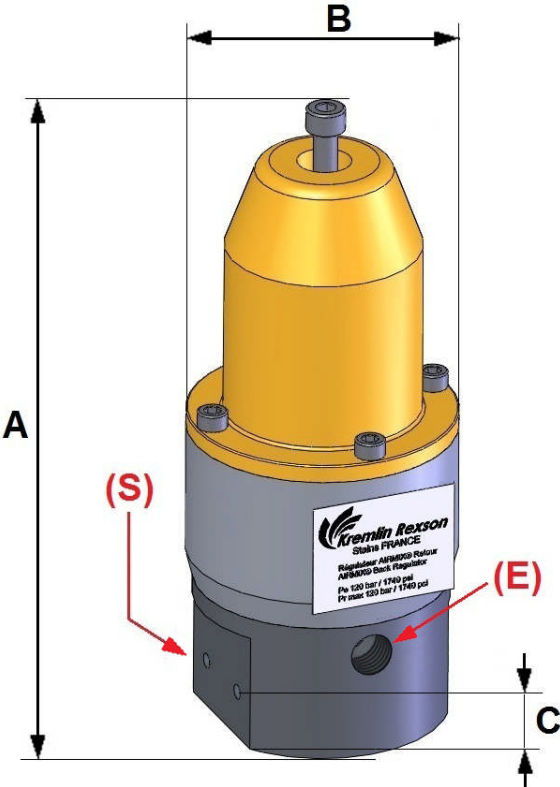
Model : 120 - 10 / 120

1. TECHNICAL FEATURES

The AIRMIX® back pressure fluid regulator is used on installations that drive fluid or semi thick materials. It is in stainless steel and designed for easy flushing.

The fluid pressure adjustment is carried out at the regulator outlet by screwing or unscrewing the adjustment screw (with the wrench n° 6).

An arrow marked on the body indicates the fluid inlet and the fluid outlet.



Ind.	mm	"	Ind.	mm	"	Ind.	mm	"
A	225	8.85	B	Ø 89	Ø 3.5	C	16	0.6

Type	Manual control regulator (by screws)
Version	120 - 10 / 120
Pressure range : - Inlet pressure - Outlet pressure	Maximum 120 bar / 1740 psi From 10 to 120 bar / from 145 to 1740 psi
Fittings : - Fluid inlet (E) - Fluid outlet (S)	F 3/8 NPS F 3/8 NPS
Wetted parts	Stainless steel, PTFE, carbide
Weight	3.6 kg / 7.9 lb
Maximum temperature	50°C / 122°F

■ HOSES WITH FITTINGS RECOMMENDED

You must choose the hose according to the material viscosity and to the length. Make sure the hose has a larger diameter for higher length or important viscosity.

Airmix® regulator	Fluid material		Semi thick material	
	Fitting	AIRMIX® hose	Fitting	AIRMIX® hose
Inlet (E)	M 3/8 NPT - M 1/2 JIC	∅ 4,8mm int. (1/4")	M 3/8 NPT - M 3/4 JIC	∅ 4,8 mm int. (3/16") or 6,35 mm int. (1/4")
Outlet (S)	M 3/8 NPT - M 1/2 JIC	∅ 4,8 mm int. (3/16") or 6,35 mm int. (1/4")	M 3/8 NPT - M 1/2 JIC	∅ 4,8 mm int. (3/16") or 6,35 mm int. (1/4")

2. MAINTENANCE



WARNING : Before any action on the installation, shut off the compressed air supply and depressurize the systems by triggering the spray gun.

■ REPLACEMENT OF THE SEAT (23)

Removal :

Unscrew the 4 screws (18) and remove the lower body (10).

Unscrew the plug (27). Remove the guide bush (21).

Push on the seat (23) to remove it from the lower body (10).

Clean the parts or replace with new parts.

Reassembly :

Change the 2 seals (26), the seat (23).

Remount the seat (23), the guide bush (21) and the plug (27).

Remount the lower body (10) and fix it via the 4 screws (18) Respect the screwing torque.

■ REPLACEMENT OF THE PIN-BALL ASSEMBLY (11) OR OF THE DIAPHRAGMS (13 & 14)

Removal :

Unscrew the 4 screws (18) and remove the lower body (10).

Unstick the diaphragms from the upper body (19).

Pull carefully the diaphragms to remove the pin-ball assembly (11), the piston (16) and the nut (17).

Do not pull the ball. This would damage the parts.

Unscrew the nut (17) to remove the piston (16).

Remove the black diaphragm (13) and the white washer support (14).

Clean the parts or replace with new parts.

Reassembly :

Replace the seal (15), placed on the pin-ball assembly (11) and the seal (20).

Place the black diaphragm (13) to the air side, the white washer support (14) to the fluid side, and the piston (16).

Place the pin (11) into a vice and tighten at the 2 flats.

Glue with a coating of glue the axis threading (11).

Screw the nut (17) on the pin-ball assembly without using tools, then screw it slightly with a wrench n° 8.

Install the assembly into the upper body (19).

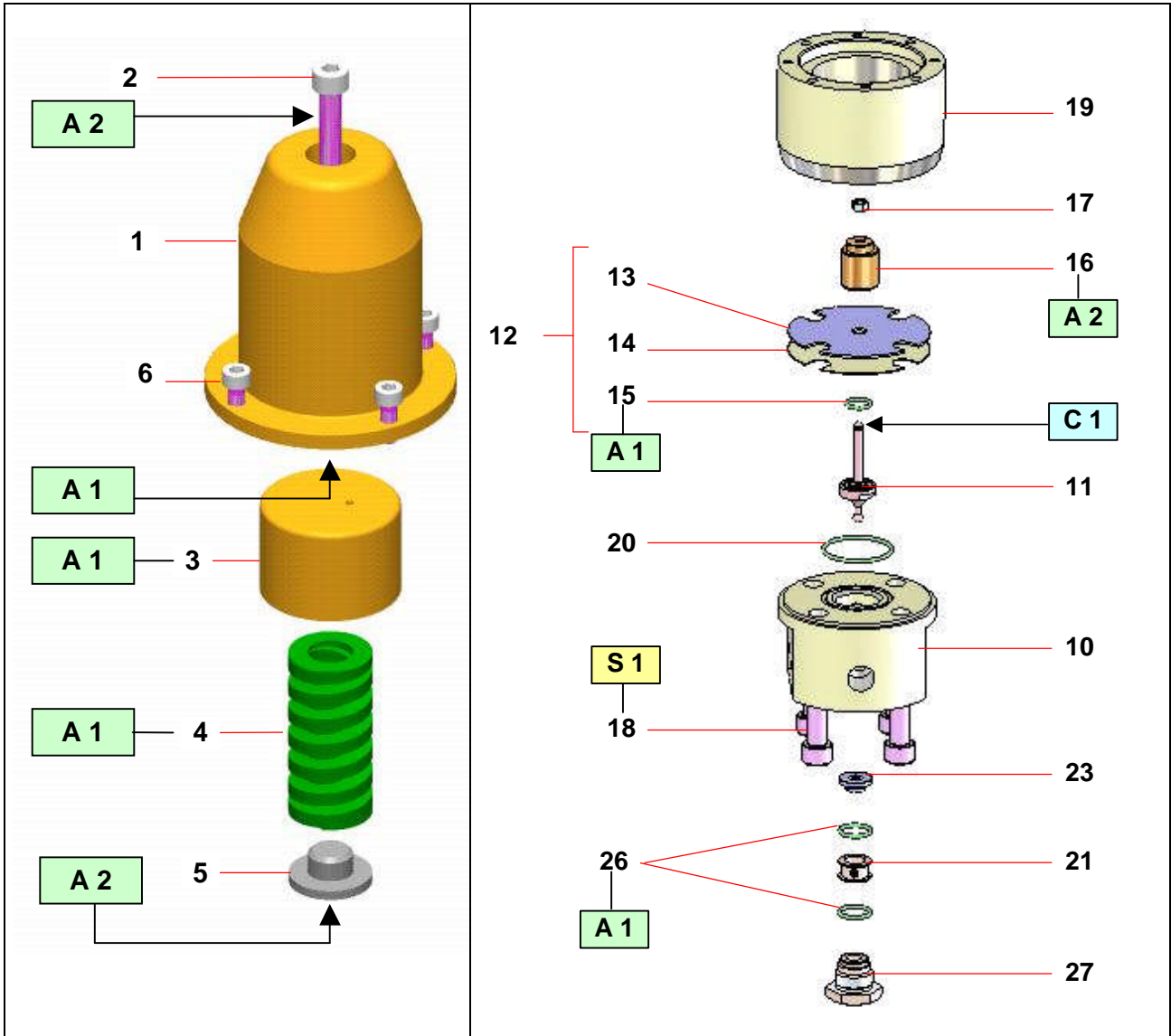
Remount the lower body (10) with the seat (23) and fix it via the 4 screws (18). Respect the screwing torque.

➡ IMPORTANT : when reassembling, the ball of the pin-ball assembly (11) must be on the central port of the seat (23).

Before reassembling the different components :

- Clean the parts with the appropriate cleaning solvent.
- Install new parts if necessary after having lubricated them with PTFE grease.
- Install new parts if necessary.

■ ASSEMBLY INSTRUCTIONS



Index	Instructions	Description	Part number
A 1	PTFE grease	"TECHNILUB" grease (10 ml)	560.440.101
A 2	Graphite grease	Graphite grease box (1 kg / 2.204 lb)	560.420.005
C 1	Medium strength - Aneorobic Pipe Sealant - Similar as Loctite 577		
S 1	Screwing torque : 20 Nm / 14.75 ft/lbs		