

Doc. 573.010.112

Modif. Ind. 5 : fitting (fluid outlet)

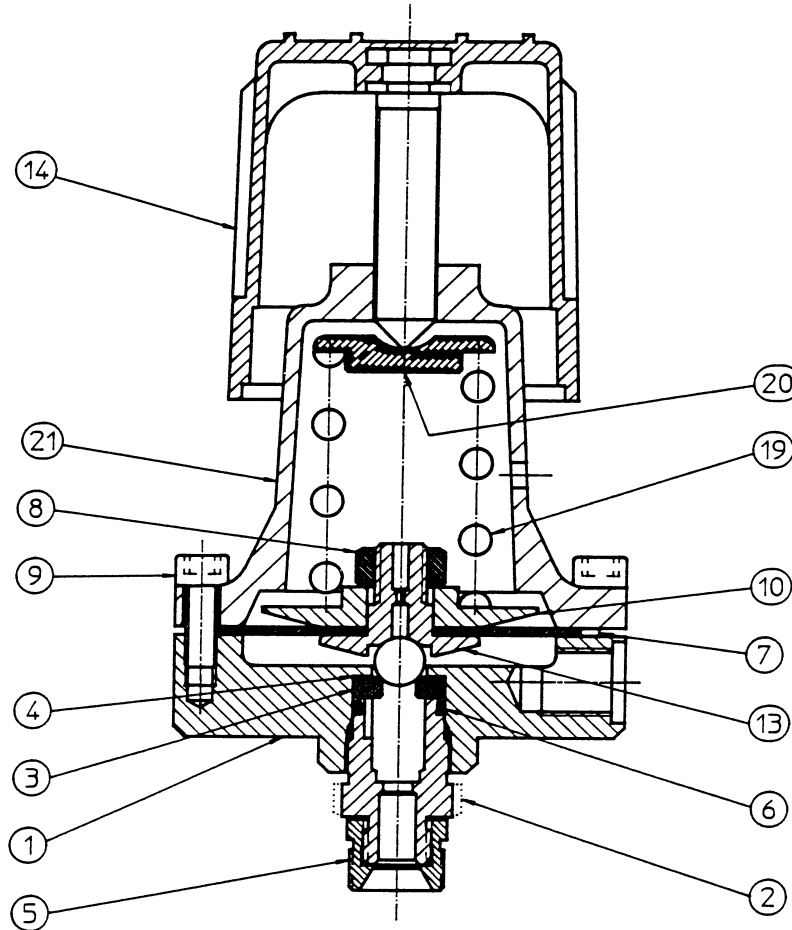
Date : 08/02/02

Supersede : 06/07/00



**LOW PRESSURE  
BACK PRESSURE REGULATOR  
SPRING OPERATED**  
Parts identification list

**LOW PRESSURE BACK PRESSURE REGULATOR (SPRING OPERATED) – MODEL : 4 - 0:**  
**- Stainless steel P.N° : 155.610.100**



Ind.	Part number	Description	Qty	Ind.	Part number	Description	Qty
1	055.610.001	Lower body	1	14	055.610.017	Adjustment knob (red)	1
2	055.610.002	Fitting, valve	1	17	050.319.502	Spring, 9 bar / 131 PSI	1
3	055.610.004	Seat	1	20	016.200.004	Upper spring support	1
4	055.610.005	Flat seal	1	21	016.200.100	Hat	1
5	---	Fitting (fluid outlet) :	1			<b>OPTIONAL</b>	
-	029.020.007	. 18 x 125 M, stainless steel	1				
-	029.020.008	. 3/8 NPS M, stainless steel	1	016.200.010	Bracket		1
-	029.020.009	. 3/8 BSP M, stainless steel	1			<b>Gauge kit :</b>	
6	050.040.314	Seal, PTFE	1	050.470.101	Elbow, MF 1/4, stainless steel		1
7	055.170.005	Diaphragm	1	050.081.701	Nipple, 1/4"- length 150mm /		1
8	953.010.021	Nut, HM 10	1		5" 29/32 - stainless steel		
9	933.151.196	Screw, CHc M 6 x 16	6	050.470.301	Coupling, 1/4", stainless steel		1
10	055.170.006	Lower spring support	1	910.011.402	Gauge, 0-6 bar / 0-88 PSI		1
13	155.610.101	Ball assembly	1				