

Bond | Protect | Beautify

With our manual guns, automatic and robotic applicators, supplied by our wide range of pumps & machines for fluid handling, dosing, mixing & dispensing.

SAMES KREMLIN provides industrial solutions for production increase, quality improvement, material & cost savings.

We are designers and manufacturers of process equipment divided in 6 ranges:

Airspray: manufacturer since 1925, bringing you the very best of the Finishing.

Airmix®: creator since 1975, bringing the perfect mix between quality and productivity.

Airless: premium for Finishers in heavy applications

Rexson High Viscosity: pumping beyond possible, dispensing precisely.

Electrostatic: expertise for high finishing quality since 1954.

Powder: coating solutions for highest Productivity since 1960

FIND YOUR
LOCAL CONTACT
BY FLASHCODE:



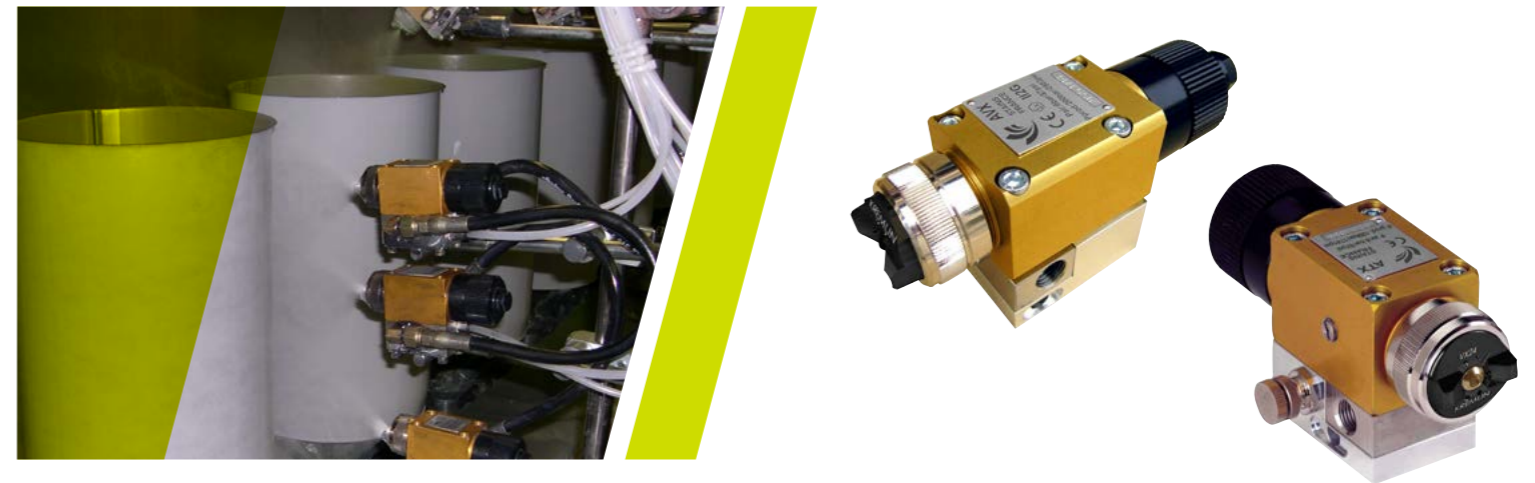
www.sames-kremlin.com



Apply your Skills



AIRMIX® AVX AIRMIX® ATX SPRAY GUNS



- High transfer efficiency (**86%***)
- Excellent atomization quality
- Modular design and high reliability

Related Technologies



Airmix®

Apply your Skills

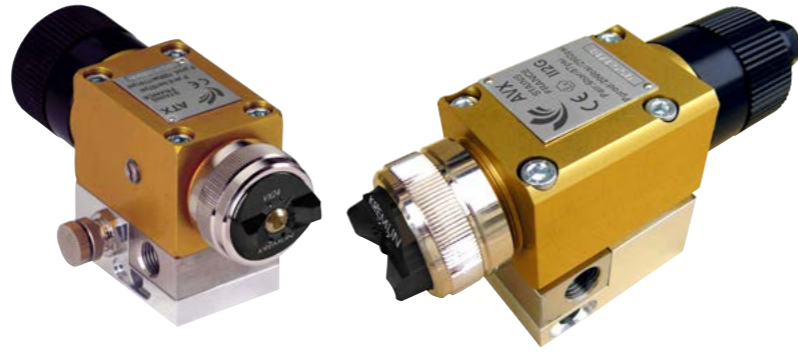
www.sames-kremlin.com

1701.573.646.002 - SAMES KREMLIN reserves right to change without notice characteristics and services offered as well as equipment and attachments of these.

* ± 2% according to EN 13966-1

AVX & ATX

AIRMIX®



TECHNICAL DATA

	AIRMIX® AVX	AIRMIX® ATX
Maximum fluid operating pressure (bar)	200	
Atomization air pressure (bar)	0.7 - 3	
Minimum air driven pressure (bar)	3	
Fluid flowrate (l/mn)	Up to 2 l/mn depending on material viscosity	
Weight gun only (g)	452	
Weight base manifold (g)	240 (side input) / 480 (rear input)	
Maximum operating temperature (°C)	70	
Seat construction	Stainless steel (polyacetal optional)	
Wetted parts	Stainless steel, treated stainless steel, PTFE or GT seal	

AIRMIX® TECHNOLOGY

Leading spray technology since 1975, AIRMIX® technology was invented by SAMES KREMLIN to reduce paint consumption, reduce cost of ownership, increase productivity, improve working condition and preserve the environment.

Continuously improved over the past 35 years, AIRMIX® is today the most efficient non electrostatic spray technology providing up to 86% transfer efficiency.

As a result, most automatic machine manufacturers using medium fluid pressure atomization have adopted SAMES KREMLIN AIRMIX® automatic guns because they are reliable, deliver outstanding finish quality and their simple construction minimizes the cost of servicing and down time.

MATERIAL HANDLED

Stains, 2K material, PU, epoxy, gelcoat, U.V coating, solvent and waterbased paints.

RECOMMENDED MARKETS



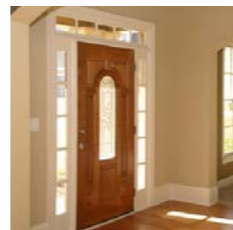
KITCHEN AND BATHROOM



DRUMS



RENEWABLE ENERGIES



EXTERIOR JOINERY

CUSTOMER BENEFITS

- Simple construction with limited number of parts ←
- High reliability ←
- Reduced cost of ownership ←
- Compact and lightweight ←
- Easy servicing and cleaning ←

SEQUENTIAL OPENING

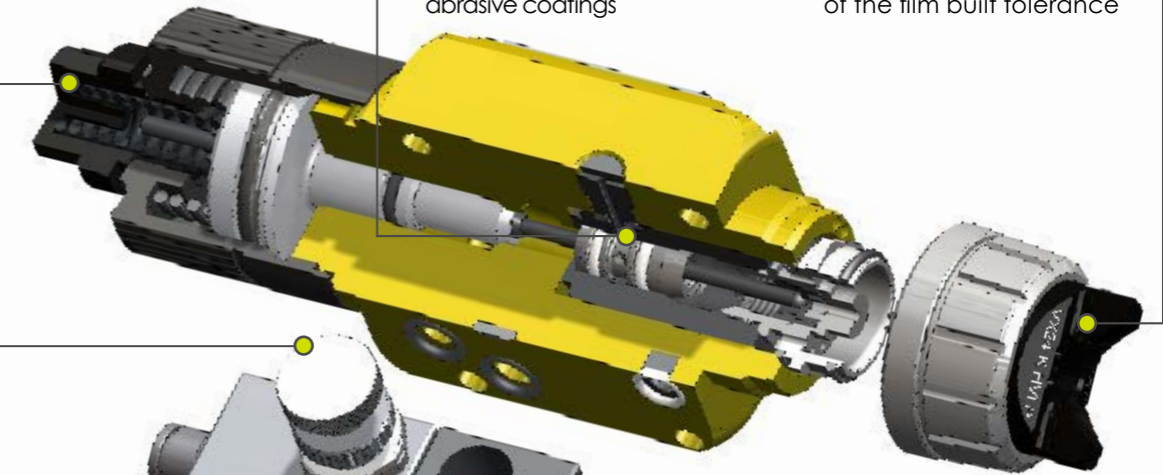
Dual spring mounted outside fluid passage allows to open air before atomizing fluid

RULON OR GT SEAL CARTRIDGE

- Rulon seal available on AXB gun
- Extended lifetime with most coatings
- GT seal available on AXC gun
- Recommended for U.V and abrasive coatings

HIGH EFFICIENCY AIRCAPS AND SPRAY TIPS

- VX24 (adjustable spray) or VX124 (fix spray) and a large offer of fine finish and Xtra™ fine finish spray tips
- Extreme accuracy of the film built tolerance



MODULAR DESIGN

- Easy assembling and disassembling (4 bolts)
- Easy servicing

FAN AIR REMOTE CONTROL

Optional

STAINLESS STEEL PASSAGE

Compatible with a large range of products (solvent base & waterbone)

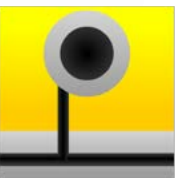
CIRCULATION IN THE GUN

Quicker and better flushing with a limited volume of solvent sprayed into the machine or spray booth



CIRCULATION IN THE BASE

Less pressure loss in circulation system



SAMES KREMLIN

www.sames-kremlin.com