

FLUID PRESSURE REGULATOR

RegSMART™

Technical features

TRANSLATION OF THE ORIGINAL MANUAL

IMPORTANT : before storage, assembly and start-up, please read and clearly understand all documents relating to this equipment (professional use only).

PICTURES AND DRAWINGS ARE NON CONTRACTUAL. WE RESERVE THE RIGHT TO MAKE CHANGES WITHOUT PRIOR NOTICE.

KREMLIN - REXSON

150, avenue de Stalingrad

93 245 - STAINS CEDEX – France

☎ : 33 (0)1 49 40 25 25 Fax : 33 (0)1 48 26 07 16

www.kremlin-rexson.com

1. DESCRIPTION

The fluid pressure regulator RegSMART™ can be used on installations :

- under low, medium or high pressure,
- for fluid, semi-fluid or viscous materials.

2 versions of the fluid pressure regulator RegSMART™ are available : Aluminum or stainless steel.

The modular ball and seat cartridge configuration are available in 3 different diameters (6mm / 0.23 in., 8mm / 0.32 in. or 12mm / 0.46 in.), this allows you to achieve precise material regulation and flow control.

This regulator is designed for easy flushing.

This regulator is an air operated regulator : adjustment of material fluid pressure on the regulator is controlled by adjusting the air pilot pressure. Please note that the air pilot must be adjusted by using a precision air regulator to achieve a constant control of material regulation.

The pressure regulator is mounted in the fluid circuit between the pump fluid outlet and the gun or dispensing valve fluid inlet, enabling you to accurately control the material pressure/flow to the gun or dispense valve.

2. TECHNICAL FEATURES

Pressure range : - Inlet pressure - Outlet pressure (regulated range) - Air pressure	Max. 400 bar / 5800 psi. From 25 bar min. to 275 bar max. Max. 6 bar / 87 psi.	
Fittings : - Fluid inlet (I) - Fluid outlet (O) - Air inlet	F G 3/4" F G 3/4" F G 1/4"	
Flow rate : - Low flow rate up to 15 cm ³ /s (valve ball 6 mm / 0.23") - Medium flow rate up to 50 cm ³ /s (valve ball 8 mm / 0.32") - High flow rate up to 150 cm ³ /s (valve ball 12 mm / 0,46")	0,9 l/min* 3 l/min* 9 l/min*	
Wetted part	Aluminium version	Stainless steel version
	Aluminium / Stainless steel / PTFE / FFKM	Stainless steel / PTFE / FFKM
Weight (kg / lb)	Aluminium version	Stainless steel version
	4 Kg / 8.8 lb	5.7 Kg / 12.5 lb
Maximum temperature	80°C / 176° F	

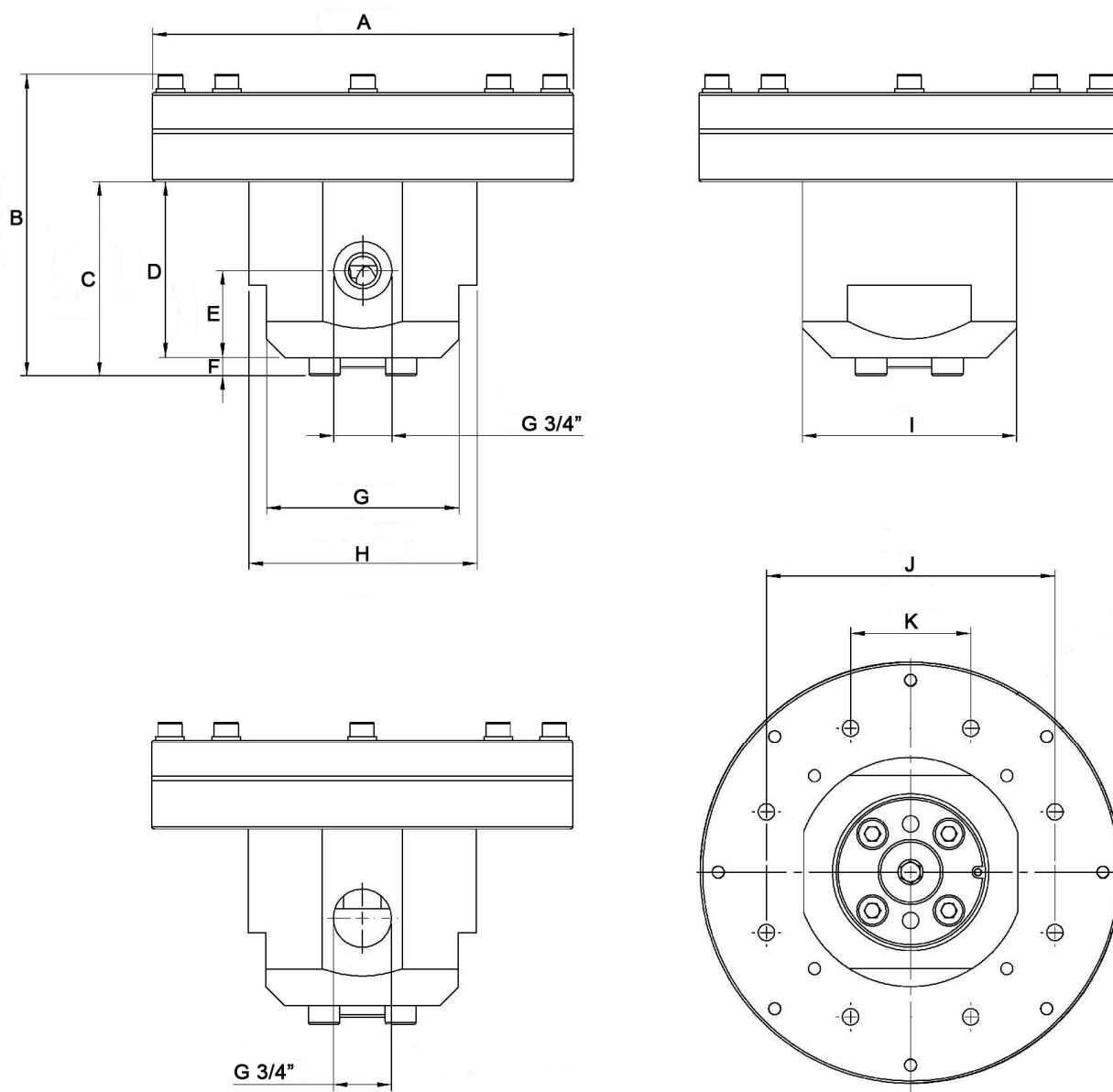
* Depending on the material

▪ CORRECT HOSE SELECTION

Please ensure that you select the appropriate hose based on - the material viscosity - the hose length and the required flow rate.

Note : for high length hose or for materials with important viscosity, a higher diameter hose is required.

▪ DIMENSIONS



Ind.	mm	in.	Ind.	mm	in.	Ind.	mm	in.	Ind.	mm	in.
A	Ø 175 (± 0,5)	6,89 (± 0,02)	D	73	2,87	G	80	3,15	J	120	4,72
B	120 (± 1)	4,72 (± 0,04)	E	36	1,42	H	Ø 95 (± 0,5)	Ø 3,74 (± 0,02)	K	50	1,97
C	81	3,19	F	8	0,3	I	89	3,50			